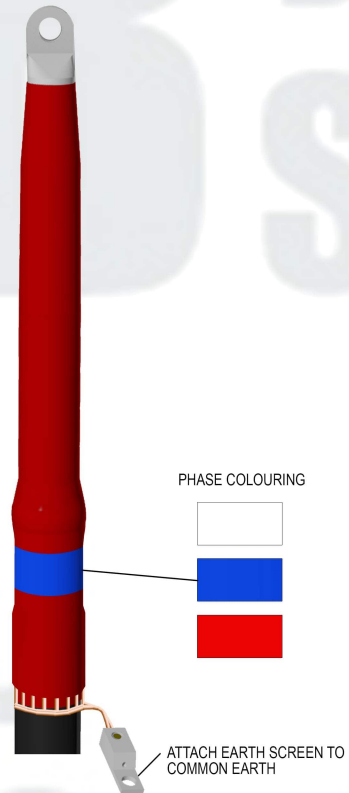


STAGE 8



STAGE 9



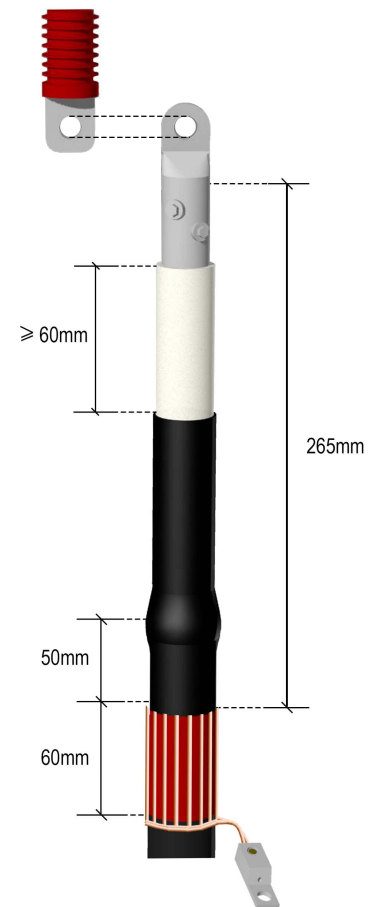
**ENERGEX APPROVED**  
J.Lansley - Date 28.01.2016

6.3/11 KV  
70 - 400mm<sup>2</sup> XLPE

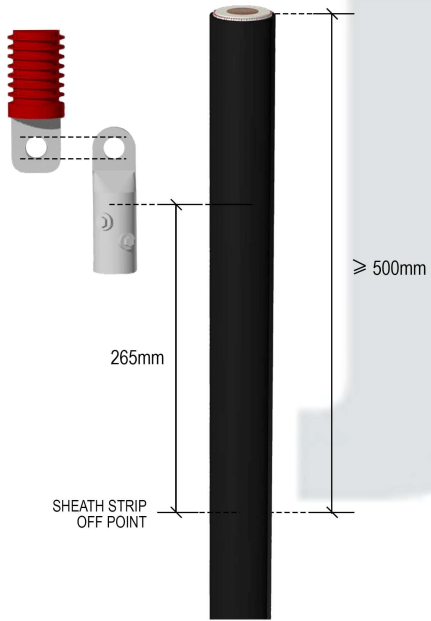
INDOOR TERMINATION

**TERMINATION GUIDE**

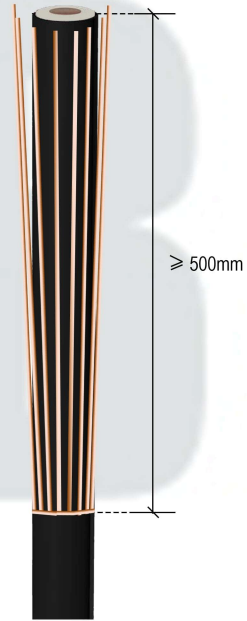
SUMMARY



### CABLE PREP



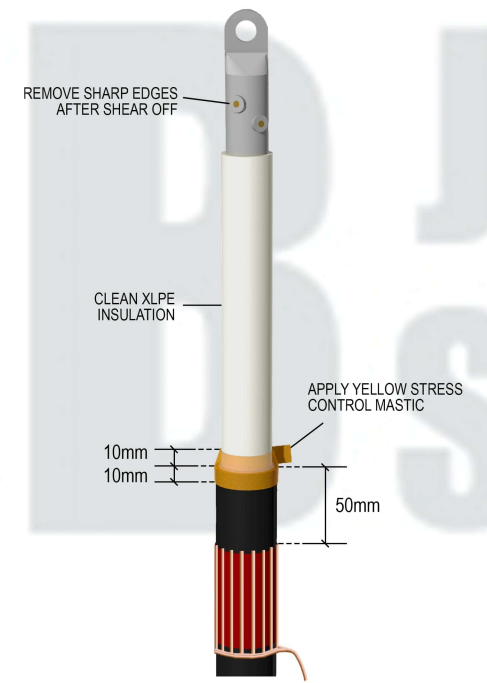
### STAGE 1



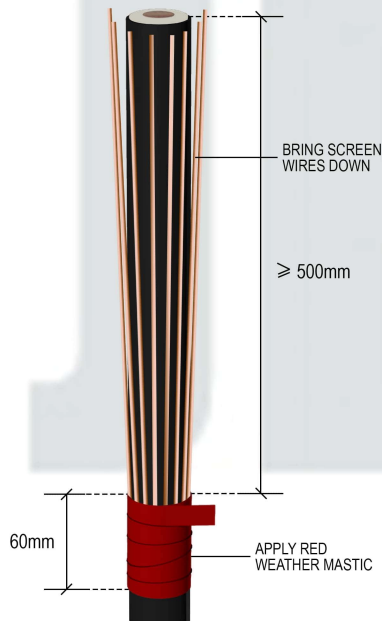
### STAGE 4



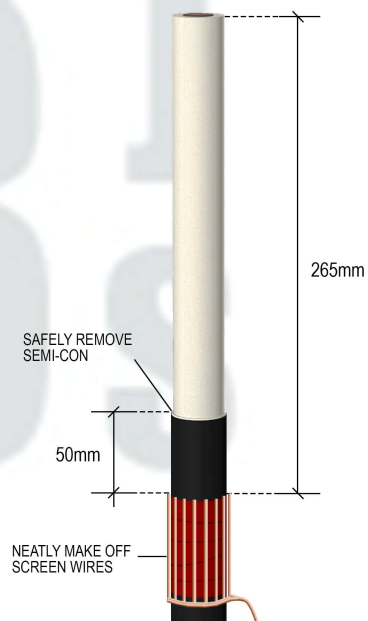
### STAGE 5



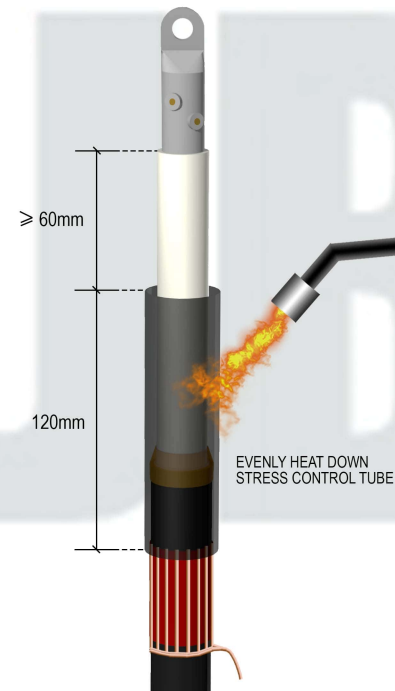
### STAGE 2



### STAGE 3



### STAGE 6



### STAGE 7

